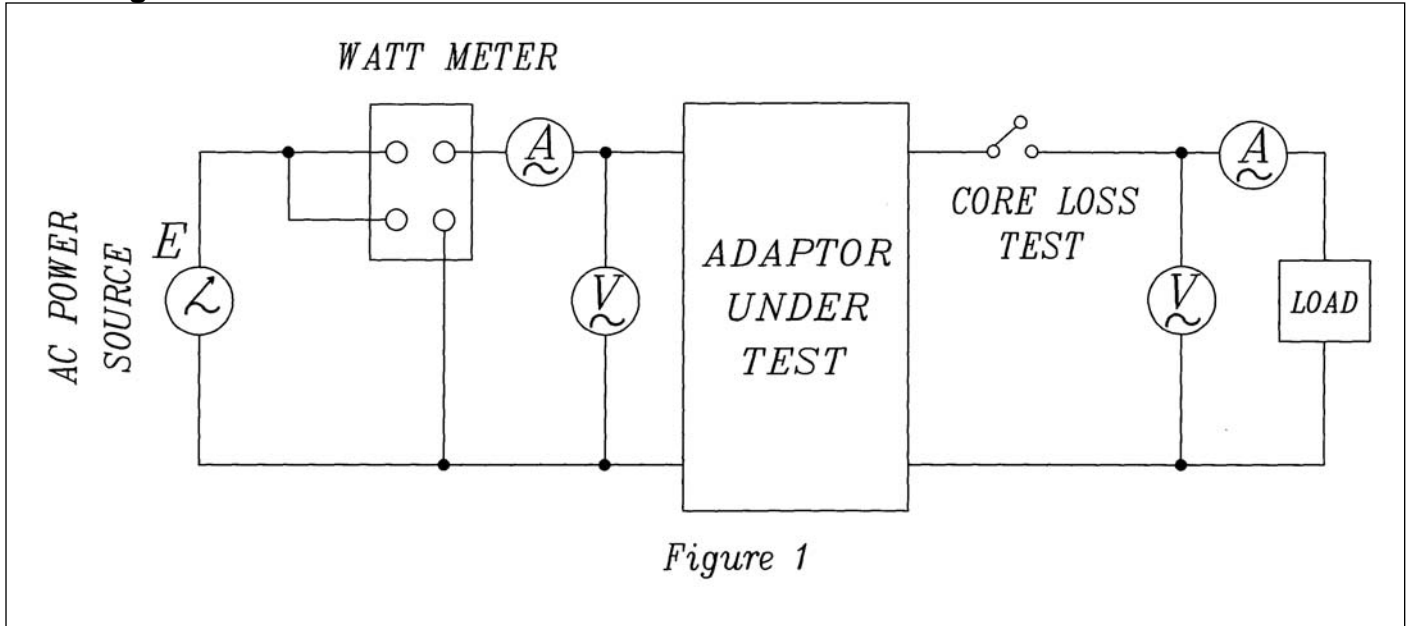
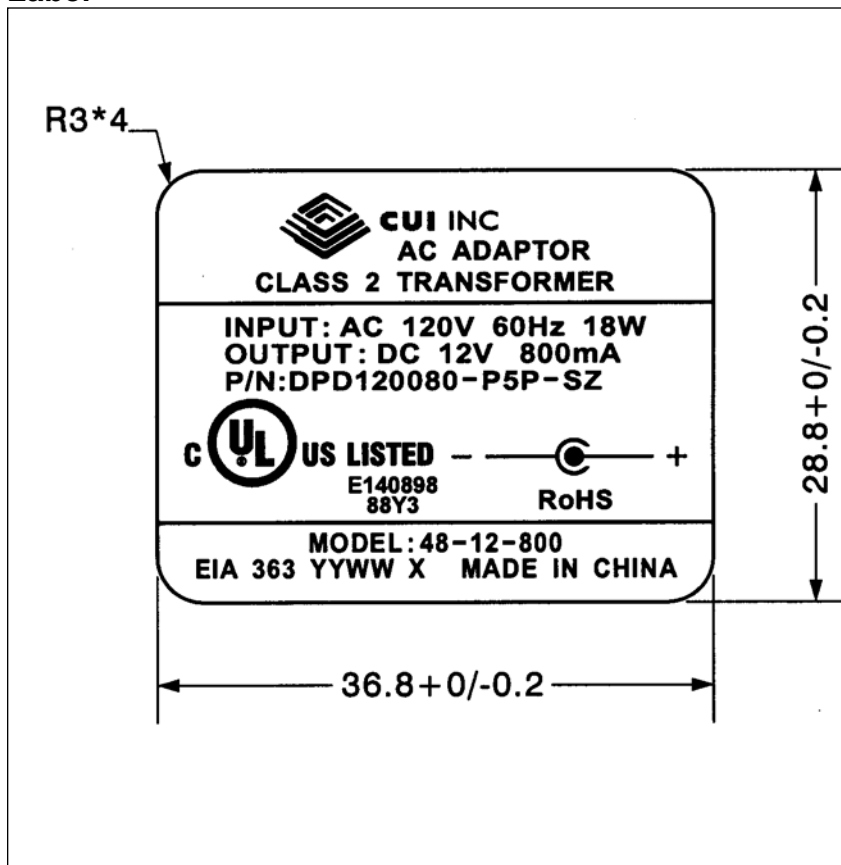


**Specifications**

| | | |
|---|--|------------------------------|
| Output voltage | 12 V dc at 800 mA | |
| Primary rated input | 120 V ac 60 Hz 18 W | |
| Primary exciting current | 80 mA rms max. | |
| Secondary rated voltage & current | no load voltage (max.) | 18 V max. |
| | full load volatge (800 mA) | 12 V \pm 5% |
| Temperature rise of primary winding (full load) | 70°C max. using resistance method | |
| Insulation resistance | \geq 100 M Ohm at 500 V dc | |
| HI-POT test | from input to output for 1 min. | 1240 V ac at 2 mA |
| | from input to output for 1 sec. | 1600 V ac at 2 mA |
| | from primary to seconardy winding for 1 sec. | 1600 V ac at 2 mA |
| | from primary winding to core for 1 sec. | 1600 V ac at 2 mA |
| | from secondary winding to core for 1 sec. | 750 V ac at 2 mA |
| Safety standard | UL/cUL | |
| RoHS compliant | yes | |
| Test conditions | Ambient temp | 40°C \pm 2°C |
| | Humidity | 90-95% 96 hours at Full Load |
| | Rated voltage | 8 hours at full load |
| Color | Case | black |
| | Cord | black |
| | Plug top | black |

Test Diagram

Label



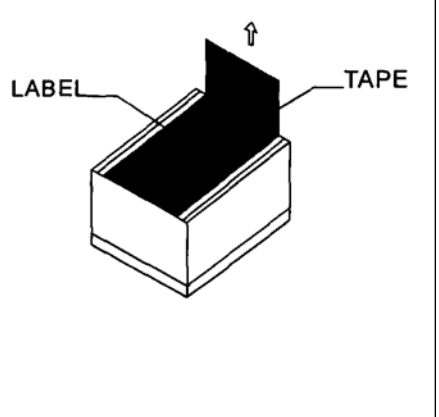
R3*4

28.8+0/-0.2

36.8+0/-0.2

Adhesive tape: 3m #44 tape 18 width
 Thickness: 0.2mm
 Material: PVC polyester
 Color: black on silver base

Remarks: YYWW S
 YY=production year
 WW=production week
 S=production location



LABEL

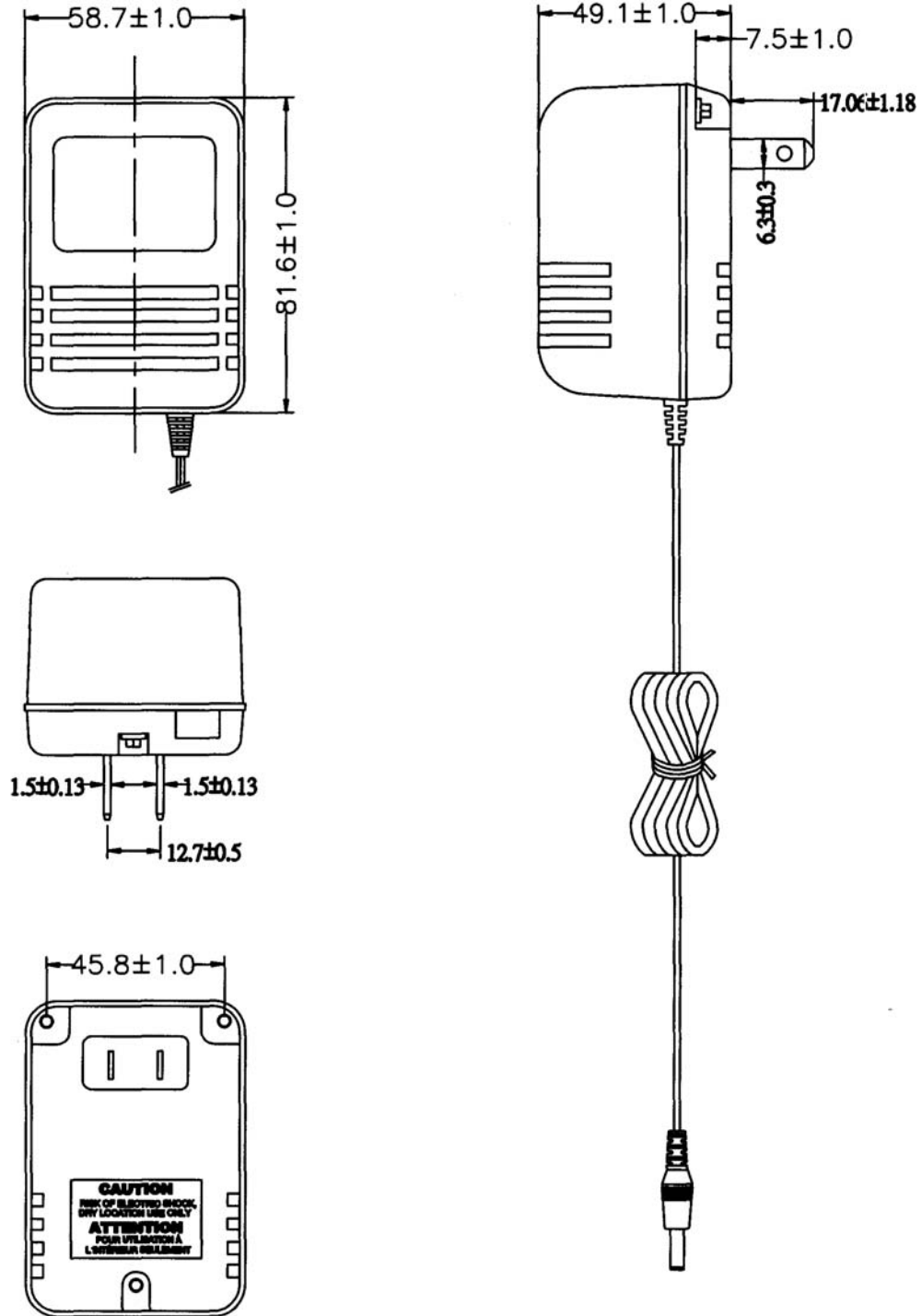
TAPE



Mechanical Drawing

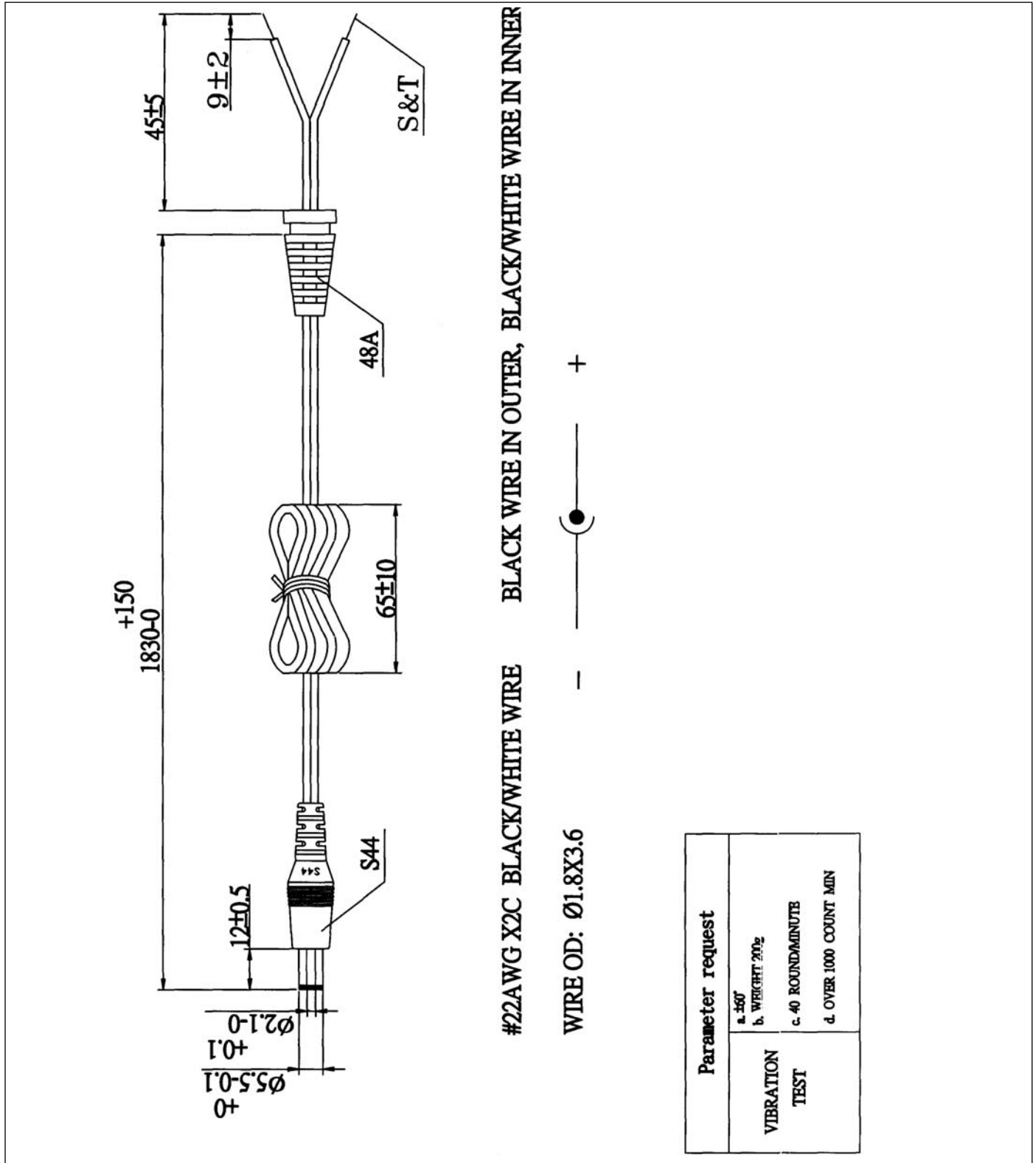
Tolerance: ± 1

Weight 390 g



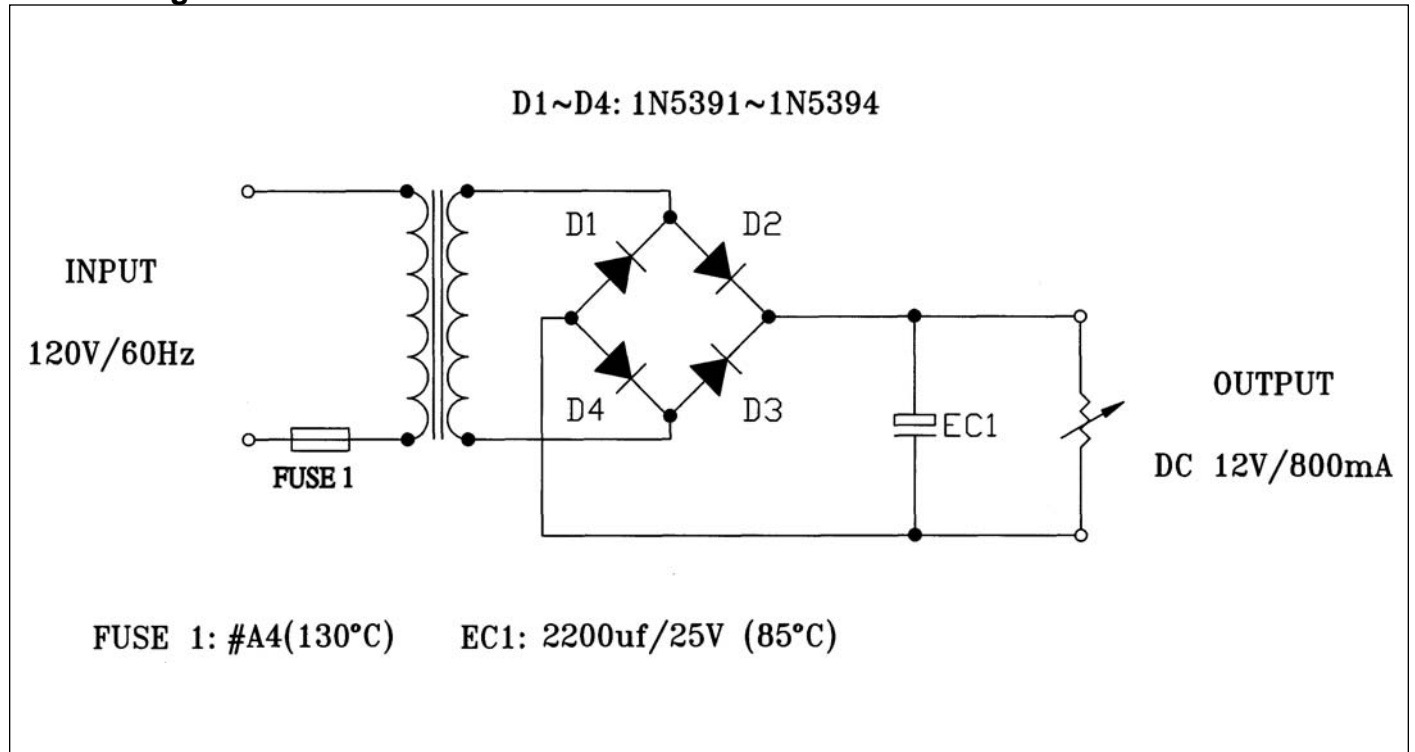


Cord





Circuit Diagrams





CUI INC

Part No: DPD120080-P5P-SZ

Date: 2/27/2006

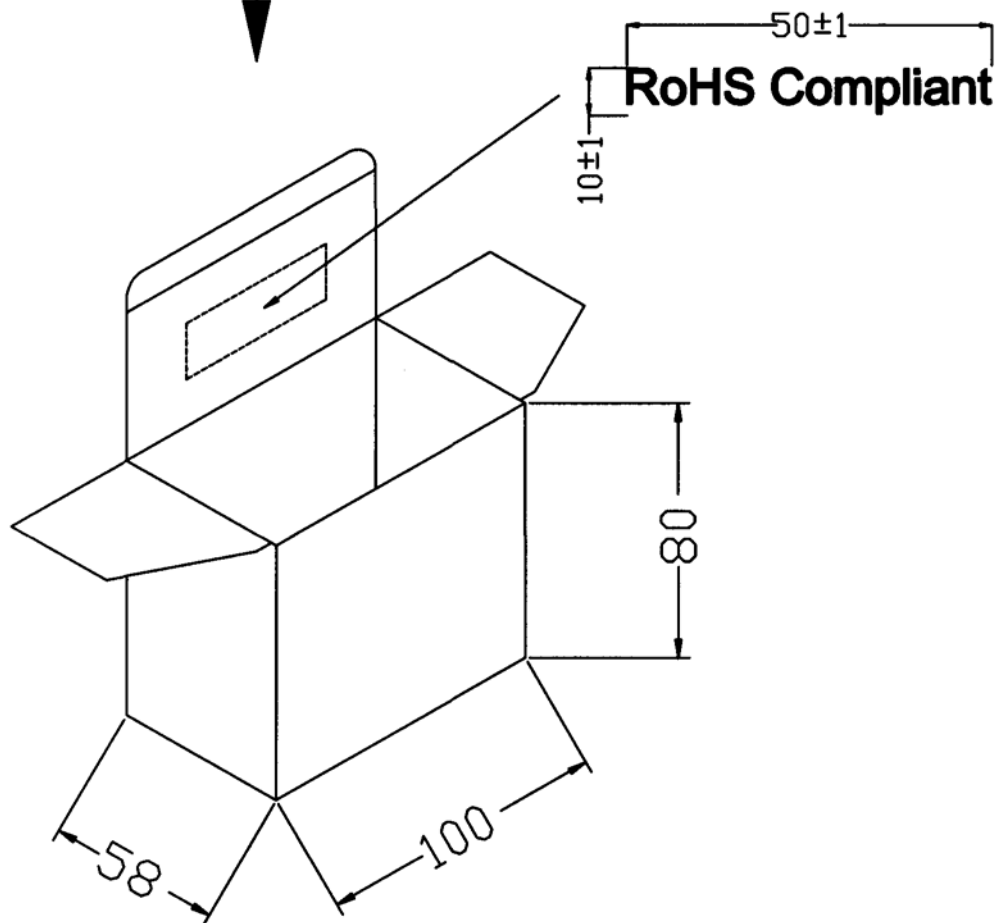
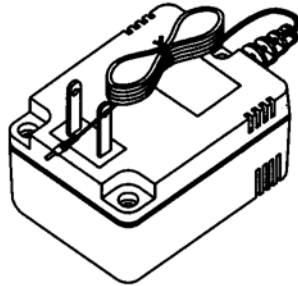
Unit: mm

Description: linear power supply

Page No: 6 of 7

Packaging

Tolerance: ± 1





Packaging

Tolerance: +7/-0

OUTSIDE CARTON:A=B(6mm)
INSIDE CARTON:A-B(3mm)
CARTON SIZE: 430x223x269mm

Q'TY: 40pcs(10X4X1)

